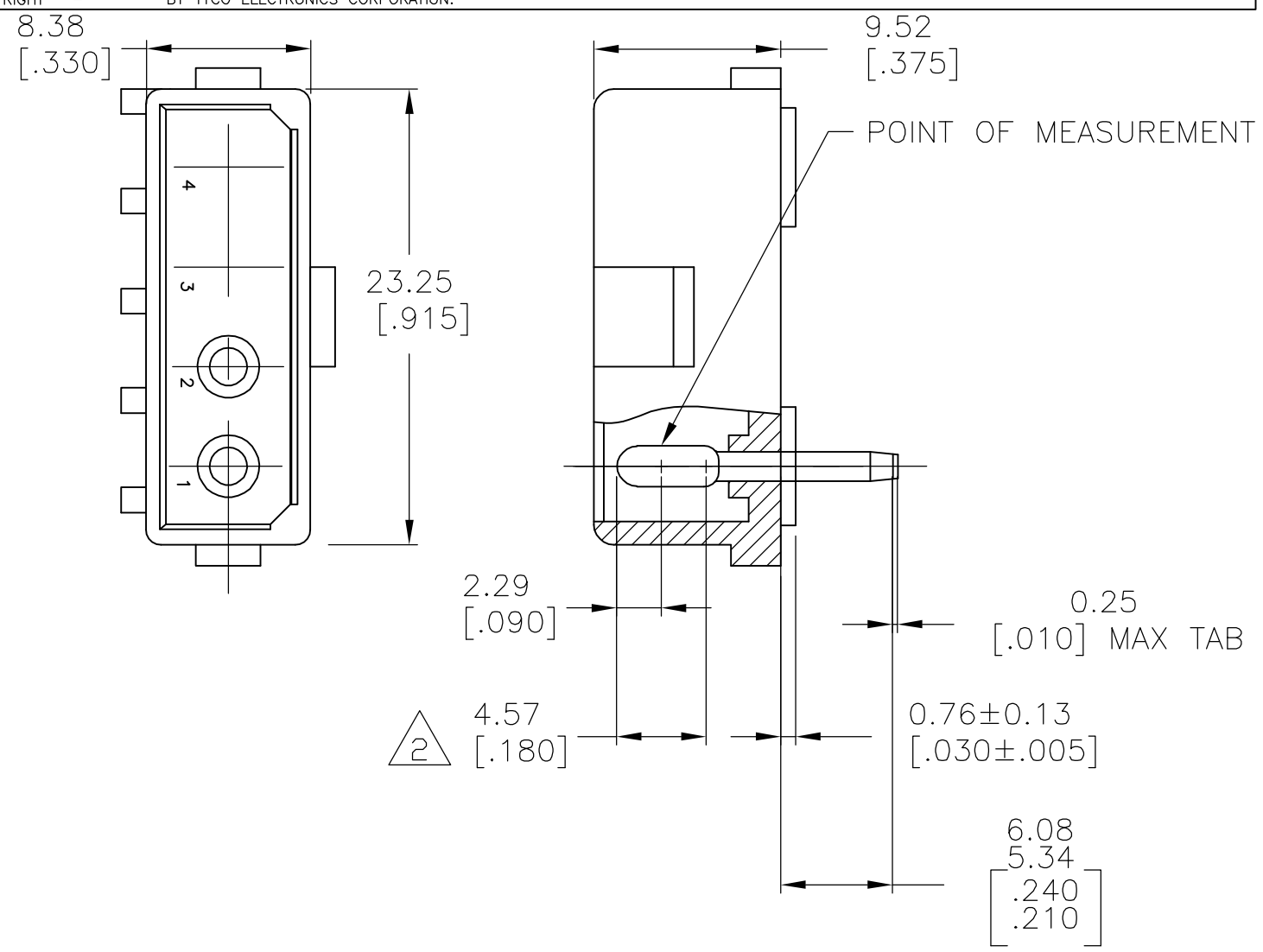
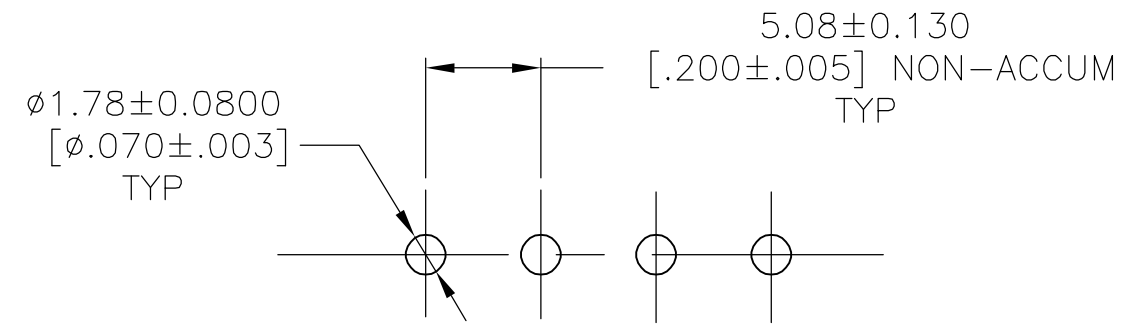


THIS DRAWING IS UNPUBLISHED. RELEASED FOR PUBLICATION
 © COPYRIGHT BY TYCO ELECTRONICS CORPORATION. ALL RIGHTS RESERVED.

LOC	DIST	REVISIONS					
CM	0	P	LTR	DESCRIPTION	DATE	DWN	APVD
		0		RELEASED PER 0G3B-1134-04	11OCT2005	APB	DC



- PARTS MUST COMPLY WITH SOLDERABILITY SPEC. 109-11-3.
- CONTACT IS PLATED OVERALL WITH .000050 NICKEL, THEN .000030 GOLD OVER CONTACT LENGTH INDICATED AND MATTE TIN ON SOLDER TAIL END.



RECOMMENDED LAYOUT FOR
 3.175 [.125] THICK P.C. BOARD

METRIC

1586536-2	NYLON-NATURAL	COPPER ALLOY-GOLD
ASSEMBLY NO.	HSG, MATL& COLOR	PIN MATL & FINISH

THIS DRAWING IS A CONTROLLED DOCUMENT.		DWN ARJUN	11OCT05	Tyco Electronics Corporation Harrisburg, PA 17105-3608			
DIMENSIONS: mm [INCHES]		CHK D. COLEY	18OCT2005				
TOLERANCES UNLESS OTHERWISE SPECIFIED:		APVD K. WHITAKER	18OCT2005	NAME 4 CIRCUIT COMMERCIAL MATE-N-LOK(TM) HEADER			
0 PLC ± - 1 PLC ± - 2 PLC ± - 3 PLC ± - 4 PLC ± - ANGLES ± -		PRODUCT SPEC		APPLICATION SPEC			
MATERIAL SEE TABLE		FINISH SEE TABLE		SIZE A3	CAGE CODE 00779	DRAWING NO C-1586536	RESTRICTED TO
CUSTOMER DRAWING				SCALE 3:1	SHEET 1 OF 1	REV 0	